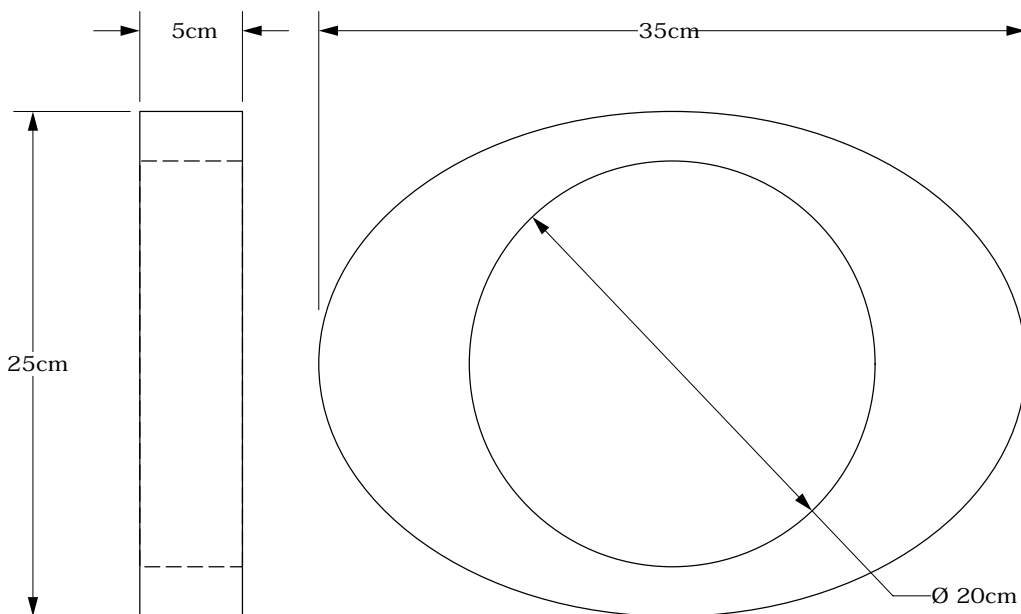


part number
CTP579

page 1 of 1



25-35cm OD Oval Body Annulus

The 25-35cm OD oval uniformity material body annulus creates varied attenuation for evaluation of image quality in a non-circular housing. This is ideal for assessing image quality with self-modulating low dose scanners.

The annulus is cast from the same material used in the Catphan® uniformity test module, CTP486. The Annulus fits over the 20cm housing of the Catphan® phantom.

The advantage of the oval annulus is it creates the varied attenuation which would be experienced in scanning a patient.



The Phantom Laboratory

phone
800-525-1190 or 518-692-1190
fax
518-692-3329

mail
P.O. Box 511
Salem, New York 12865
shipping
2727 State Route 29
Greenwich, New York 12834

email
info@phantomlab.com
web
www.phantomlab.com